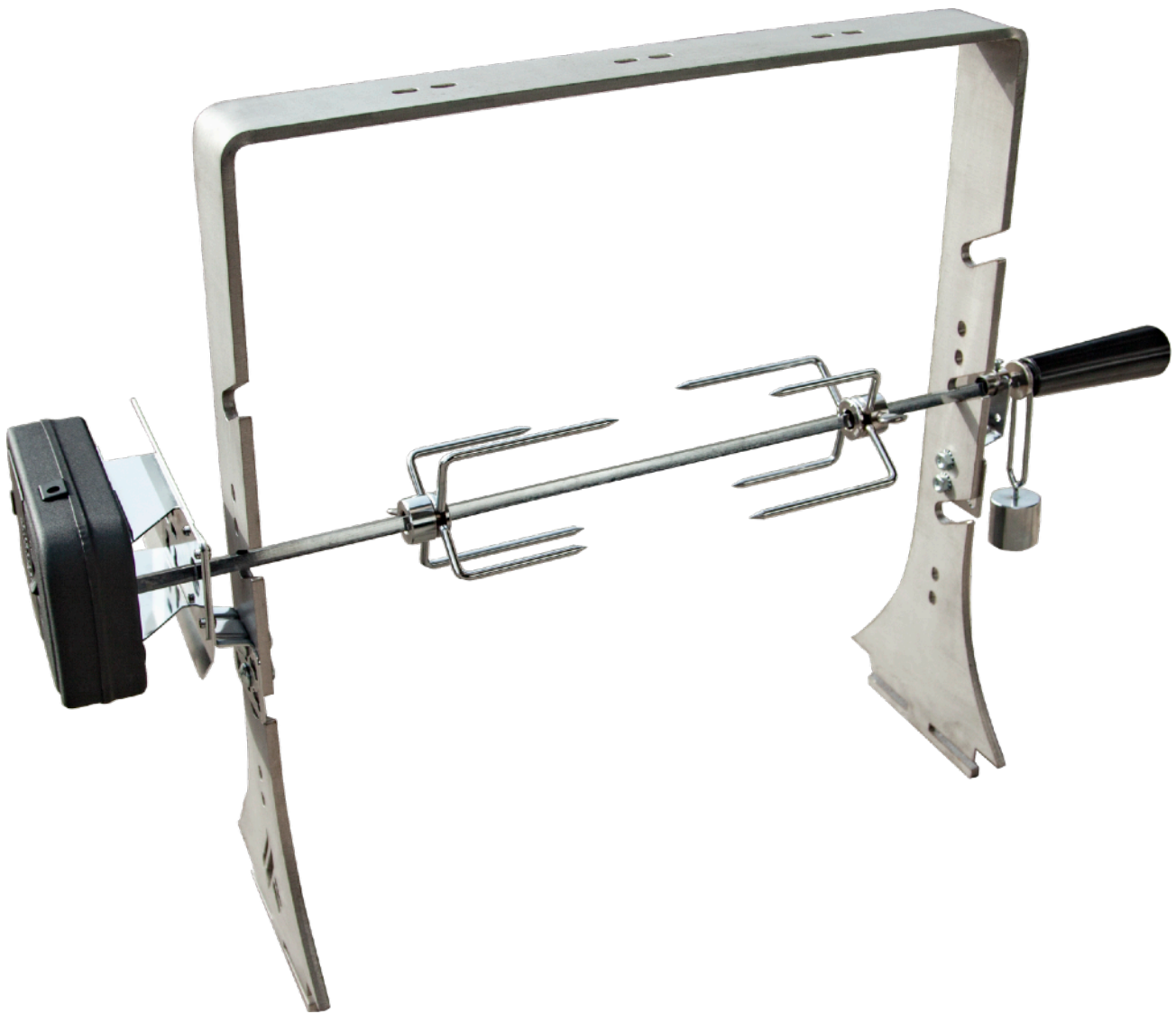




**A R T E F L A M E**

**Rotisserie Attachment  
Setup Instructions**



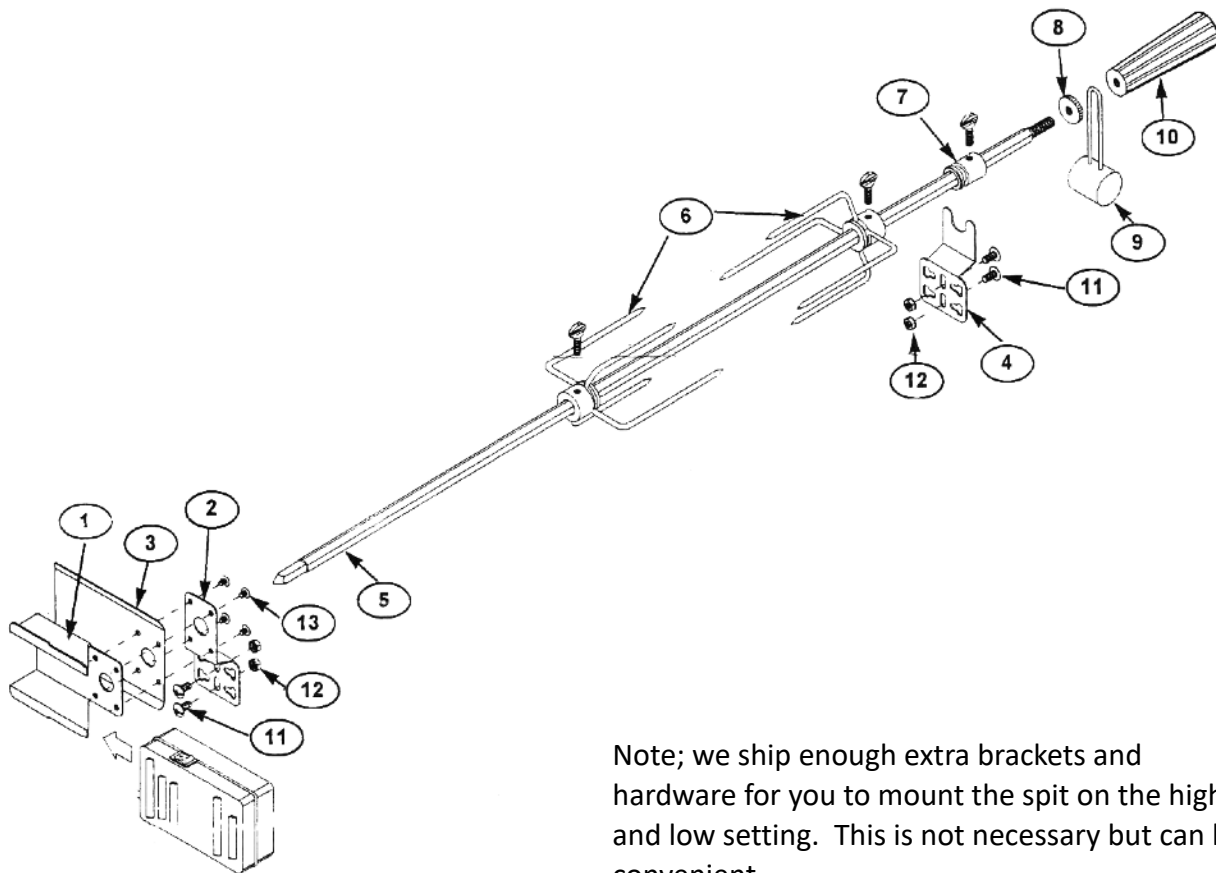


# A R T E F L A M E

## **FOR YOUR SAFETY PLEASE READ ALL INSTRUCTIONS PRIOR TO USE!**

1. Surfaces will become hot during use. Use handle or mitts.
2. To protect against electrical shock, do not immerse motor, cord or plug in water or other liquid ( optional adapter only).
3. Close supervision is necessary when appliance is used by or near children.
4. Unplug from outlet when not in use and before cleaning (optional adapter only). Allow to cool before adding or taking off parts.
5. Do not operate any appliance with a damaged cord or plug, or after the appliance malfunctions or has been damaged in any manner. Return appliance to the nearest authorized service facility for examination, repair, or adjustment.
6. The use of accessory attachments not recommended by the appliance manufacturer may cause injuries.
7. Do not let cord hang over edge of table or counter, or touch hot surfaces (optional adapter only).
8. Do not place on or near a hot gas or electric burner, or in a heated oven.
9. Extreme caution must be used when moving an appliance containing hot oil or other hot liquids.
10. Always attach plug to appliance first, then plug cord into the wall outlet. To disconnect, turn any control to "OFF", then remove plug from wall outlet. (optional adapter only)
11. Do not use appliance for other than intended use.

# ROTISSERIE ASSEMBLY INSTRUCTIONS



Note; we ship enough extra brackets and hardware for you to mount the spit on the high and low setting. This is not necessary but can be convenient

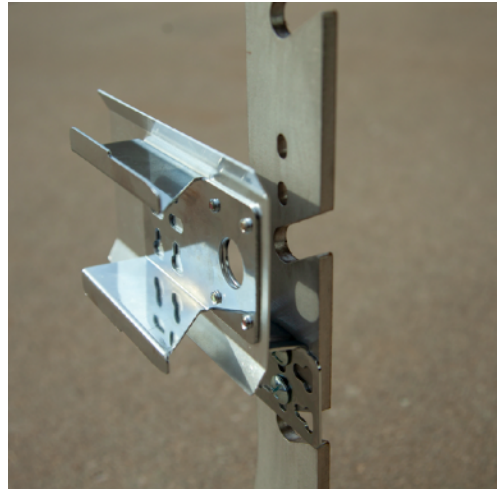
## Parts List

<u>Item</u>	<u>Qty</u>	<u>Description</u>
1	1	Motor Mount
2	1	Motor Mount Bracket
3	1	Motor Shield
4	1	Outboard Support Bracket
5	1	Spit Rod
6	2	Prong Forks
7	1	Shaft Bushing (Style varies)
8	1	Key Washer - Knurled
9	1	Counter-Balance (Style varies)
10	1	Spit Handle
11	4	1/4-20 X 1/2" Phillips Head Screw
12	4	1/4-20 Nut
13	4	M4 X 6mm Phillips Head Screw

# ROTISSERIE ASSEMBLY INSTRUCTIONS

Figure 1

1. Assemble Motor Bracket (2), Motor Shield(3), and Motor Mount (1) using four screws (13) as shown in Figure 1.  
**\*\*CAUTION\*\*** Do not mount motor mount directly to grill. Motor will fail prematurely.



2. Attach Motor Bracket Assembly to side of rotisserie frame (can be mounted on either the left or right side of the frame) using two screws (11) and two nuts (12) as shown in **Figure 2**.

Figure 2

3. Attach Outboard Support Bracket (4) to opposite side and secure with two screws (11) and two nuts (12) as shown in **Figure 3**.

4. Insert Rotisserie Motor onto Motor Bracket Assembly as shown in **Figure 2**.



5. Assemble Key Washer (8), Counterbalance (9), and Handle (10) to Spit Rod (5). Slide Shaft Collar (7) with end towards Handle as shown in **Figure 2 and 3**.

6. Slide Prong Forks (6) onto Spit Rod (5). Place food onto Spit Rod and secure with Prong Forks. Secure with thumb screws. Place Spit Rod assembly over Shaft Bracket (4) and position into Motor. Secure position with Shaft Bushing; tighten thumbscrew/screw.

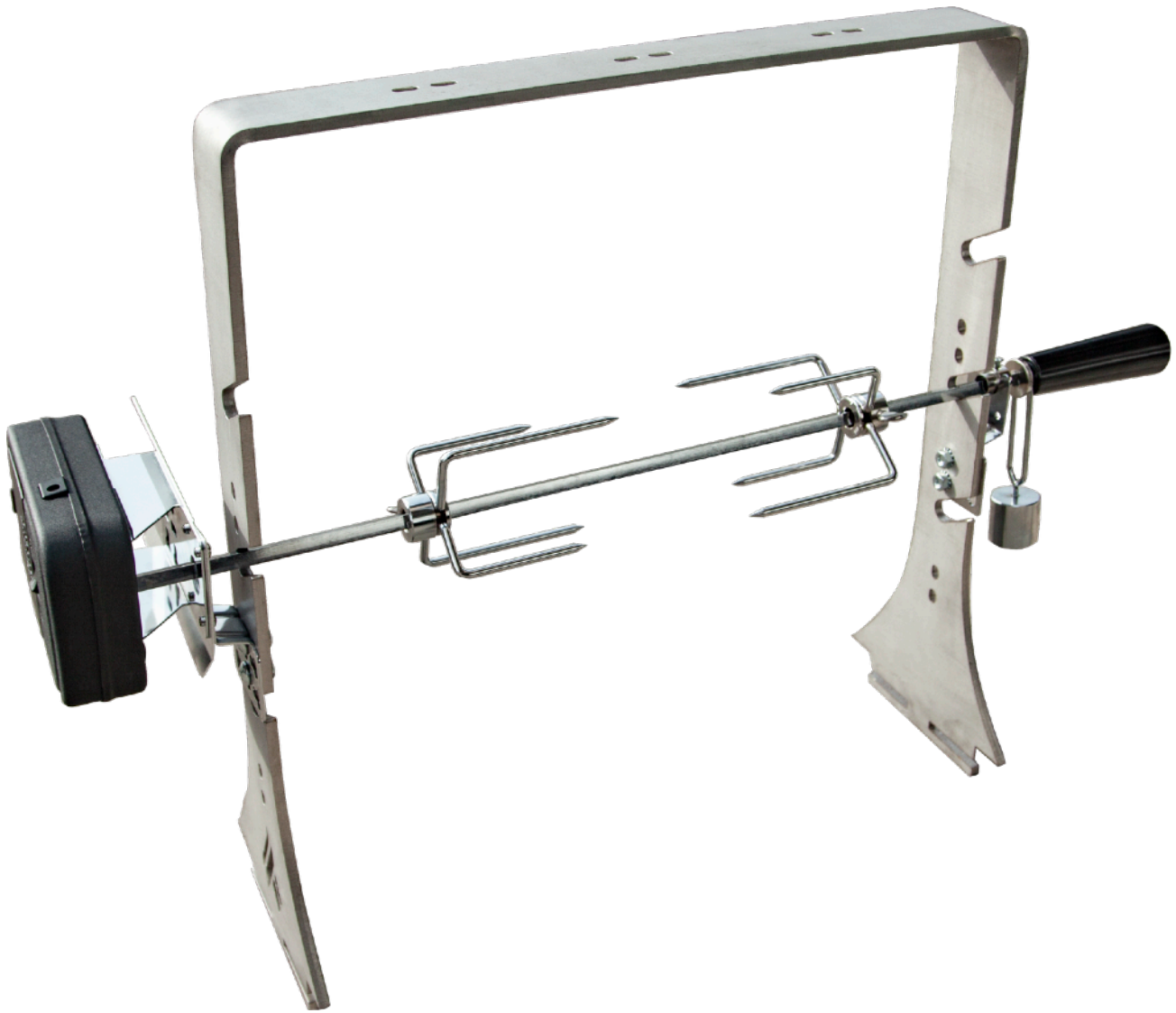
Figure 3

7. Align the Motor Bracket(1) and Shaft Mounting Bracket (4) so that the Spit Rod is centered in the rotisserie rack openings allowing 1/16" clearance to allow Spit Rod to turn see **Figure 4**.

8. Ensure that all screw/nuts are tightened securely.



# FINAL ROTISSERIE ASSEMBLY



This is how your final rotisserie assembly should look. (The One30 will look slight different as the legs are bent to fit the grill). You can choose to use the upper, middle or lower slots as you see fit. There are also slots at the top of the upright to hang items from.